

120mm (按最小6x4的外观预估大小)

160mm

TECHNICAL SPECIFICATIONS

Model	Types	Item
7"x3"	White Bracket	104101
	Chromed Bracket	104102
6"x4"	White Bracket	104103
	Chromed Bracket	104104
9"x7"	White Bracket	104105
	Chromed Bracket	104106

911 Signal Technology Inc.

Add: Room 701-702, Hengwei Building, No.258, Tiangao Lane,
Shouan Subdistrict, Yinzhou Area, Ningbo City,
Zhejiang, China.

Tel: +86 574 89017911 +86 400 6757911

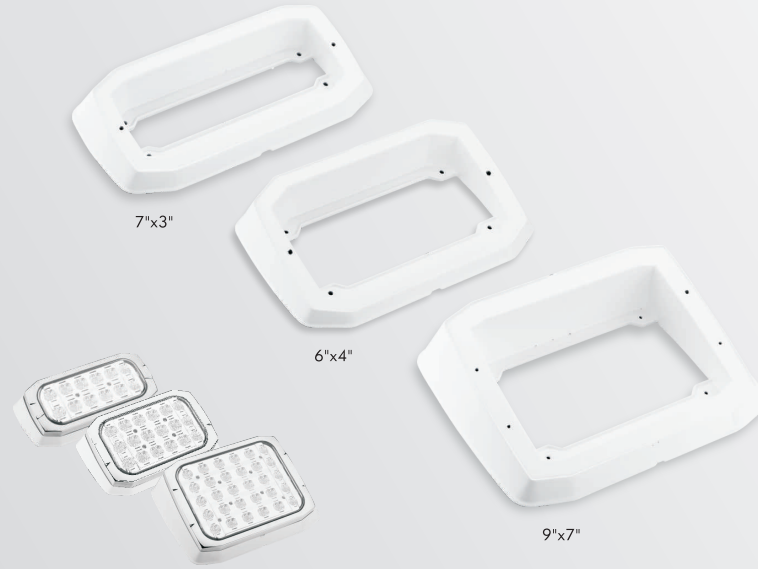
Fax: +86 574 82822560

Email: sales@911signal.com

Website: www.911signal.com

Stark O-X2
V1.0

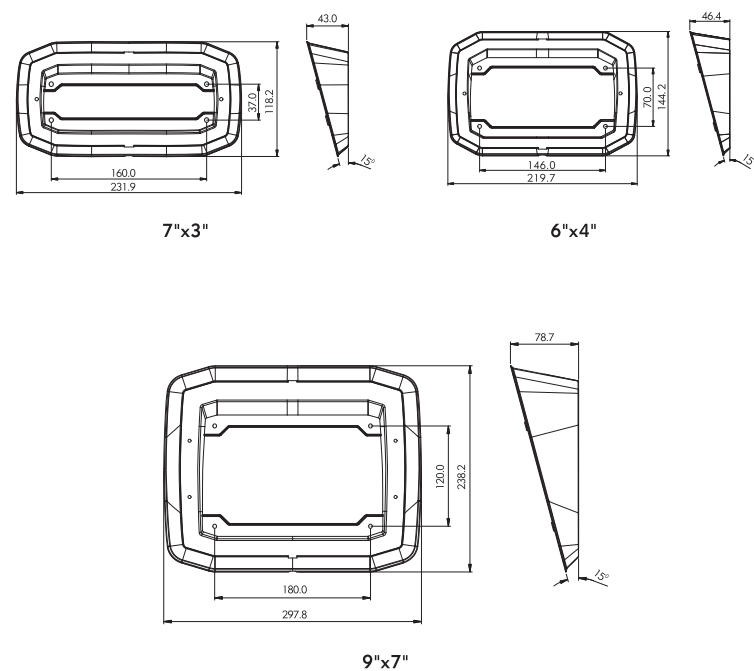
911 SIGNAL®



STARK O BRACKET

| 7"x3" | 6"x4" | 9"x7" |

DIMENSIONS



FEATURES

- 15° angled design of the bracket makes the STARK O highly compatible to the curved wall of ambulances, ensuring the light emits from the horizontal direction. Thus no bother for the vehicle outfitter to take additional conversion for the mounting, which is more time and cost efficient.
- Durable ABS molding gives a robust and light-weighted product.
- UV, heat, water and corrosion resistant.
- Easy and simple installation with only 4 screws
- Available in white and chromed models.
- Includes a silicon pad to prevent any scratch may be occurred to the vehicle.

MOUNT

