

## TRIO

LED Combinations \ WIRE	BROWN	BLUE	RED
Opt.1	White	Blue	Red
Opt.2	White	Blue	Amber
Opt.3	White	Red	Amber
Opt.4	Blue	Red	Amber

## 911 Signal Technology Inc.

Add: Room 701-702, Hengwei Building, No.258, Tiangao Lane, Shounan Subdistrict, Yinzhou Area, Ningbo City, Zhejiang, China.

Tel: +86 574 89017911 +86 400 6757911

Fax: +86 574 82822560

Email: sales@911signal.com

Website: www.911signal.com

# 911 SIGNAL®



## STARK O

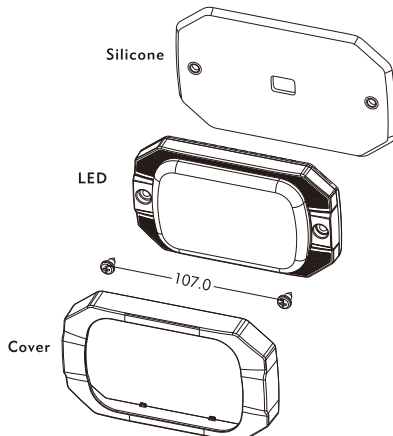
### 4" x 3"

Aluminum die-casting base provides excellent heat dissipation

## TECHNICAL SPECIFICATIONS

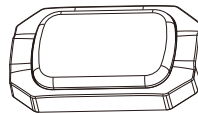
Item	023414	023415	023416
Color	Single		Trio
Voltage	10-33VDC		
Max Power	10W		
LED	6pcs 3W	18pcs 3W	
LENS	TIR		
Flash Patterns	19	12	
Mount	Surface mount with a Chrome cover		
Operating Temperature	-30 to 70°C		
Certification	SAE Class I, CA T13, ECE R65 Class II, ECE R10		

## MOUNT



## WIRING

### Single Color



**RED** — For power supply to 10-33VDC

**BLACK** — GND

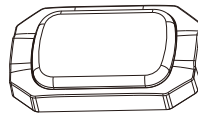
**YELLOW** — Synchronization, flash pattern selection and reset

- Connect YELLOW wires of all heads together for synchronization
- To change flash patterns, apply +VDC for less than 1 second and release
- Flash patterns will be reset when YELLOW wires are connected to RED wire for more than 5 seconds

**WHITE** — Alternation

With the power off, connect the wire from onelighthouse to +VDC and leave the other unconnected. Their patterns will alternate when the lighthouses are activated.

### Trio Color



**BROWN** — Color 1 "+"

**BLUE** — Color 2 "+"

**RED** — Color 3 "+"

**BLACK** — GND

**YELLOW** — For synchronization, flash pattern selection and reset

**WHITE** — Alternation

## FLASH PATTERNS

### Single Color

1	Random (Default)	11	Single (All)
2	Single (Split)	12	Double (All)
3	Double (Split)	13	Quad (All)
4	Quad (Split)	14	Quint (All)
5	Quint (Split)	15	Ultra (All)
6	Ultra (Split)	16	Single-Quad (All)
7	Single-Quad (Split)	17	Single-H/L (All)
8	Single-H/L (Split)	18	Steady 2
9	ECE R65 Single (All)	19	Steady 4
10	ECE R65 Double (All)		

### Trio Color

1	Steady 2 (Default)	7	Double (All)
2	Steady 4 (All)	8	Quad (All)
3	Random (All)	9	Quint (All)
4	ECE R65 Single (All)	10	Ultra (All)
5	ECE R65 Double (All)	11	Single-Quad (All)
6	Single (All)	12	Single-H/L (All)