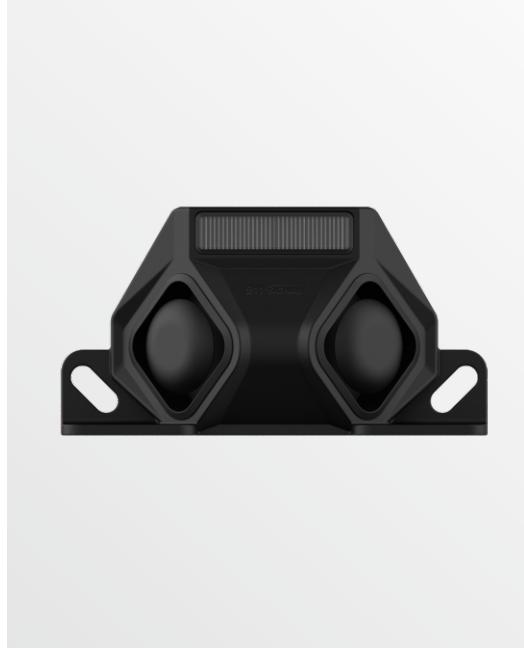


911 SIGNAL®



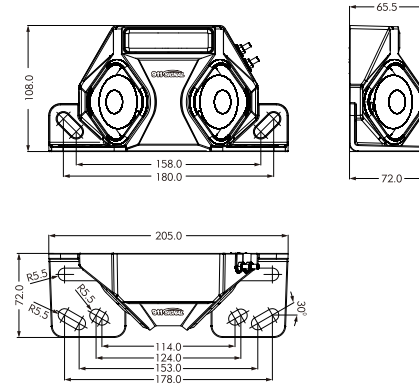
911 Signal Technology Inc.

Add:Room 701-702,Hengwei Building,No.258,
Tiangao Lane, Shounan Subdistrict,Yinzhou
Area,Ningbo City, Zhejiang,China.

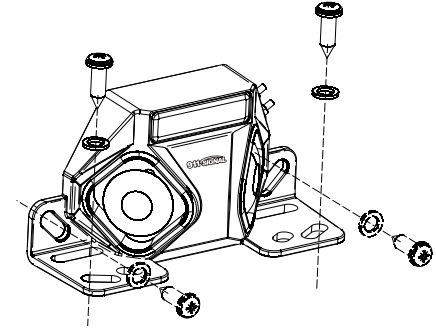
Tel: +86 574 89017911 +86 400 6757911
Fax: +86 574 82822560
Email: sales@911signal.com
Website: www.911signal.com

RANAEEYE

DIMENSIONS



MOUNTING



SPECIFICATIONS

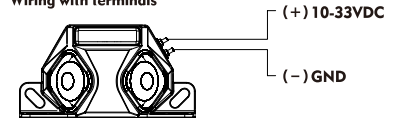
| Model | ITEM | Voltage | Decibels | Max Power | Vibration Resistant | LED Color | IP Rating | Mount | Operating Temperature |
|---------|--------|----------|----------|--|---------------------|------------------|-----------|------------|-----------------------|
| Ranaeye | 091301 | 10-33VDC | 112dB | 6W(Warning light) 2W(Back-up alarm) | 10G | R B A W | 69K | Bolt Mount | -30 to 70°C |

FEATURES

- SAE J994 certified (back-up alarm); SAE J595, CA Title 13, ECE R65 and R10 certified (warning light)
- Dual alarm system is utilized in case of malfunction
- Combination of audio and visual alerts with two back-up alarms and an integrated warning light
- A reserve-mounted speaker maximizes sound warning effect
- Universal mounting holes make it easy to install
- Reinforced nylon housing can resist 10G vibration
- Epoxy sealing protects the product from moisture, water or dust ingress

WIRING

Wiring with terminals



Wiring without terminals

