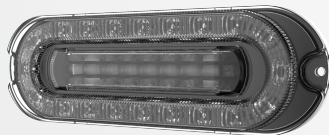


# 911 SIGNAL®



Orbit C



Orbit U

## ORBIT SERIES

### FEATURES

- Integration of warning, clearance, reversing and Stop / Tail / Turn lights - the first of its kind on the market
- Extremely innovative and recognizable three-dimensional design makes the product stand out among others
- Able to replace other products with 4" and 6" industry standard dimensions
- Flush mount, or grommet mount with a Chrome cover
- Warning light available in single color
- IP69K rated

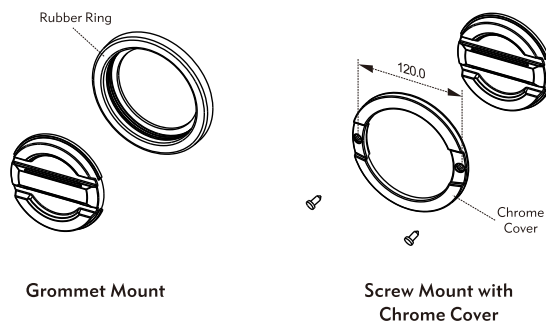
### FLASH PATTERNS

1	Random (Default)	11	Single (All)
2	Single (Split)	12	Double (All)
3	Double (Split)	13	Quad (All)
4	Quad (Split)	14	Quint (All)
5	Quint (Split)	15	Ultra (All)
6	Ultra (Split)	16	Single-Quad (All)
7	Single-Quad (Split)	17	Single-H/L (All)
8	Single-H/L (Split)	18	Steady 2 (California)
9	ECE R65 Single (All)	19	Steady 4 (All)
10	ECE R65 Double (All)		

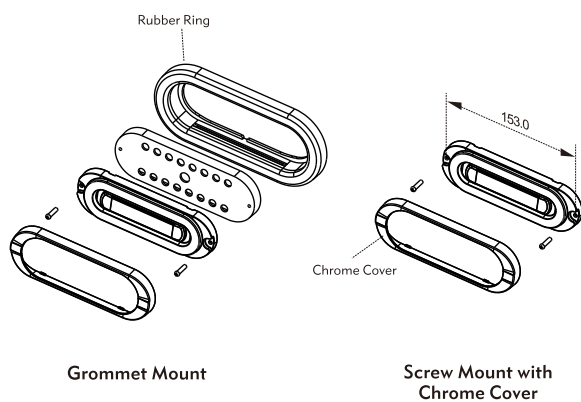
### SPECIFICATIONS

Item of Orbit C	023501	023502	023503	023504	023505	023506	023507	023508
Item of Orbit U	023701	023702	023703	023704	023705	023706	023707	023708
Color of warning light	A/B		A		A/B		A	
Signal light	Brake light / turn signal, position light	Turn signal	Brake light / turn signal, position light, reversing light	Turn signal, reversing light	Brake light / turn signal, position light	Turn signal	Brake light / turn signal, position light, reversing light	Turn signal, reversing light
Voltage	10-33V							
Max Power	16W							
LED	32pcs							
Flash Patterns	19							
Lens	TIR							
Mount	Grommet Mount				Screw Mount			
Operating Temp.	-30 to 70°C							
Certification	SAE J595, CA T13, R65, R7, R91, FMVSS-108							

### ORBIT C MOUNT



### ORBIT U MOUNT



### WIRING

#### Configuration 1

- **RED** - On/Off of warning light  
Apply the wire to the power to activate the product.
- **BLACK** - GND  
Apply the wire to the power to activate the product.
- **YELLOW** - Synchronization, flash pattern selection and reset
  - Connect YELLOW wires of all heads together for synchronization
  - To change flash patterns, apply +VDC for less than 1 second and release
  - Flash patterns will be reset when YELLOW wires are connected to RED wire for more than 5 seconds
- **WHITE** - Alternation  
With the power off, connect the wire from one lighthouse to +VDC and leave the other unconnected. Their patterns will alternate when the lighthouses are activated.
- **GRAY** - Turn signal/Brake light
- **PURPLE** - Position light
- **PINK** - Reversing light

#### Configuration 2

- **RED** - On/Off of warning light
- **BLACK** - GND
- **YELLOW** - Synchronization, flash pattern selection and reset
- **WHITE** - Alternation
- **ORANGE** - Brake light
- **PURPLE** - Position light
- **PINK** - Reversing light

#### Configuration 3

- **RED** - On/Off of warning light
- **BLACK** - GND
- **YELLOW** - Synchronization, flash pattern selection and reset
- **WHITE** - Alternation
- **GRAY** - Turn signal
- **PINK** - Reversing light

### 911 Signal Technology Inc.

Add: Room 701-702, Hengwei Building, No. 258, Tiangao Lane, Shouan Subdistrict, Yinzhou Area, Ningbo City, Zhejiang, China.

Tel: +86 574 89017911 +86 400 6757911  
 Fax: +86 574 82822560  
 Email: sales@911signal.com  
 Website: www.911signal.com