



INSTALLATION & MAINTENANCE INSTRUCTIONS

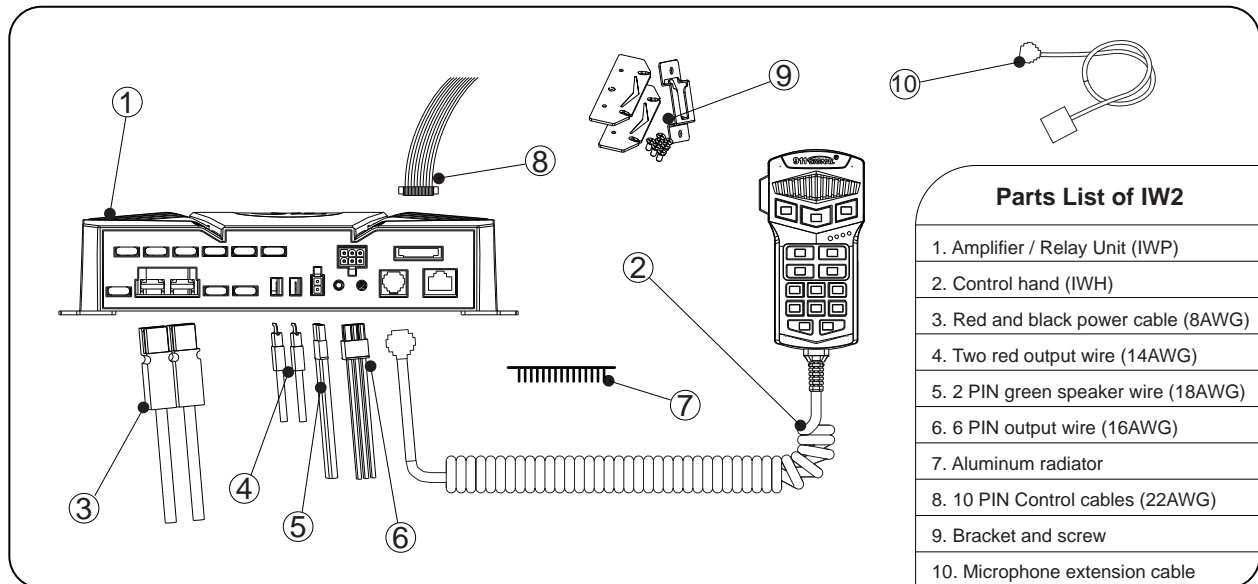
Model: IW 2

IMPACT TM Siren Series



DESCRIPTION AND SPECIFICATION

The 911 Signal model IW2 Siren is a ECO Configuration called the IMPACT™ siren series. The siren includes an Amplifier / Relay Unit (IWP2) and a Control head (IWH).



IW 2 - Provides an electronic siren and light control system.

IW 2 - Provides 8 kinds of siren sounds.

IW 2 - Offers load output for the light system.

IW 2 Specification

Input Voltage	12V
Operating Temperature Range	-20°C to + 60°C.
Standby Current	Less than 0.1 amps
Operating Current	10 amperes (nominal).
(no lamps on) (12V battery, 8 ohm @ 100W)	
Frequency Range	300 to 1600Hz.
Nominal Voltage Output	12V.
Maximum Output Current	10 amps .
Harmonic Distortion.....	Less than 10% from 5 to 100 watts.

INSTALLATION INSTRUCTIONS

1.1 Unpacking and examining the siren unit

2.0 Amplifier / Relay Unit housing Mounting.

Caution: The IW 2 Amplifier/Relay Unit housing is NOT waterproof. It must be mounted in a location which is sheltered from falling rain, snow, standing water, etc. Also, it must be installed in an adequately ventilated area. Never install near heater ducts. Do not mount the IW2 Amplifier/Relay Unit under the vehicle's hood.

2.1 Mounting Location Selection, See Figure 2-1 (Dimension)

Please select the location larger than the size of the IW2 to install.

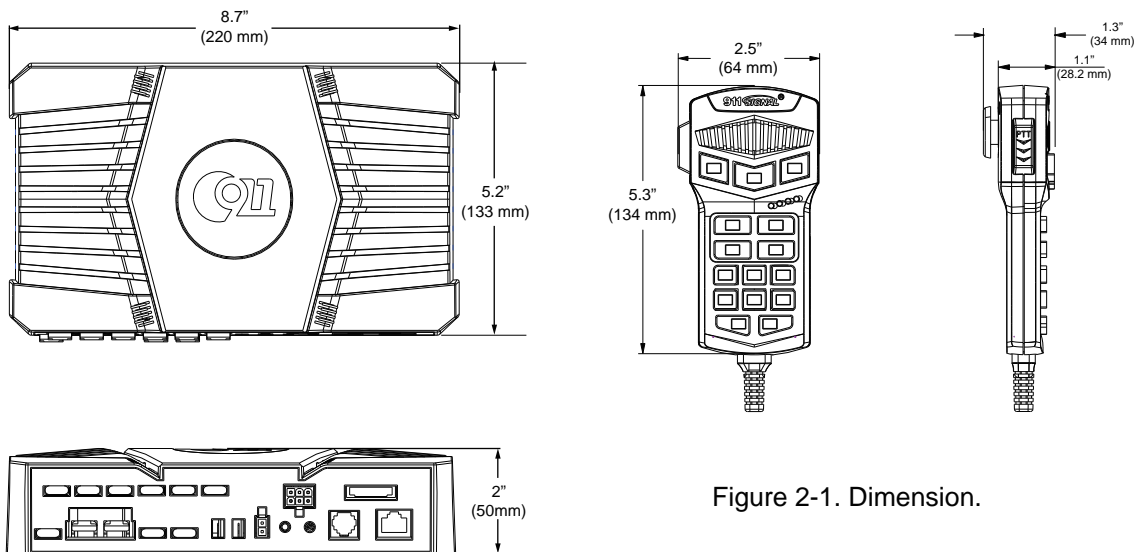


Figure 2-1. Dimension.

2.2 Mounting and Installing the Siren Unit

2.2.1 Mounting Brackets. See Figure 2-2 (Bracket) There are two ways to choose.

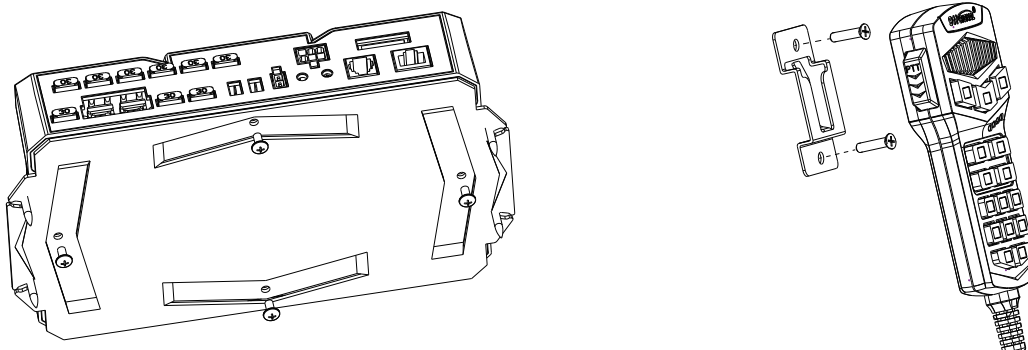


Figure 2-2. Bracket.

2.2.2 Screw Mounting. See Figure 2-2-2 (Screw)

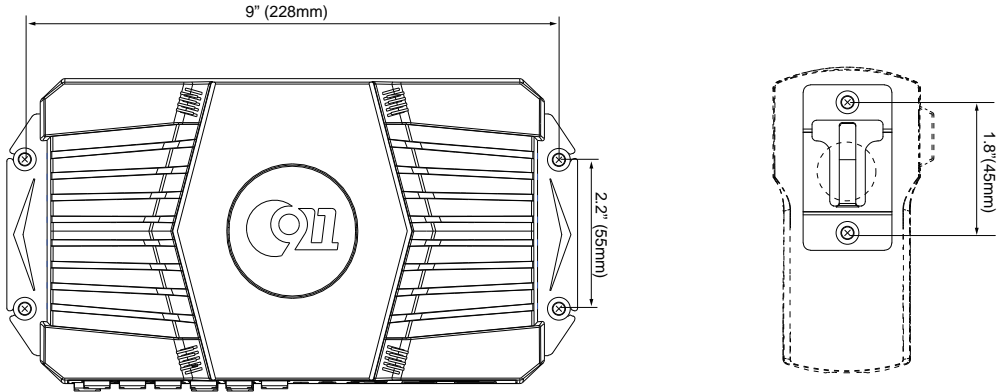
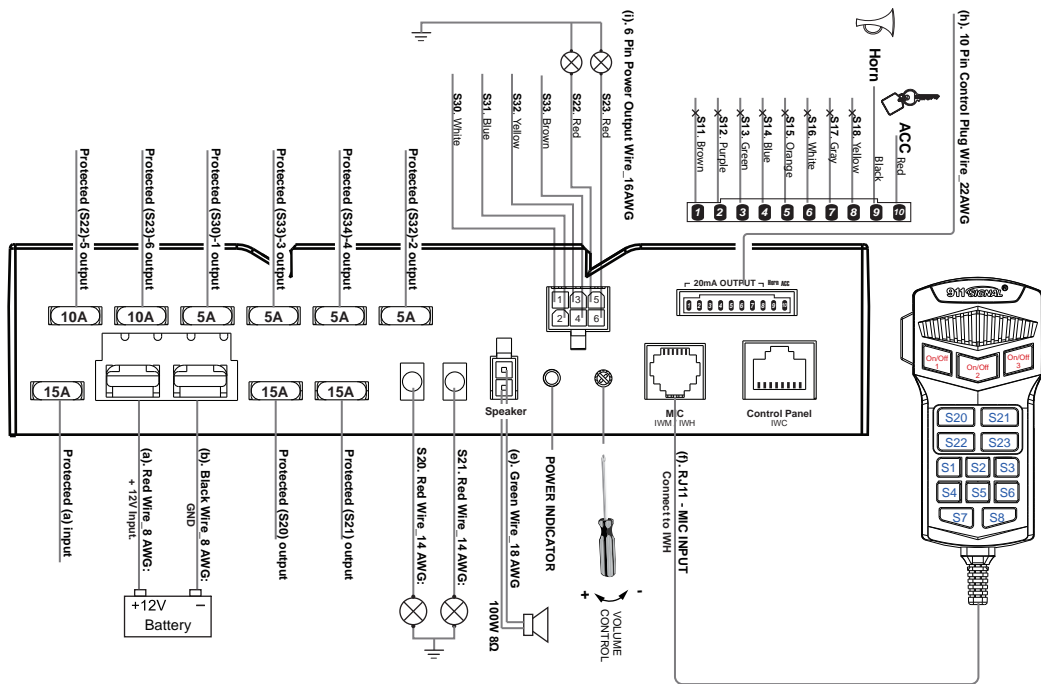


Figure 2-2-2. Screw.

2.3 Wiring Diagram, ITEM: 091105. See Figure 2-3 (Wiring Diagram)



Button Functions	
ON/OFF 1	Switch 1 with memory function
ON/OFF 2	Switch 2 with memory function
ON/OFF 3	Switch 3 with memory function
S20	Output wire on/off
S21	Output wire on/off
S22	Output wire on/off
S23	Output wire on/off
S1	Tone wail on/off
S2	Sound piercer on/off
S3	Sound yelp on/off
S4	Sound Whoop on/off
S5	Sound Warble on/off
S6	Sound Hi_low on/off
S7	Push button Manual
S8	Push button Airhorn

Figure 2-3. Wiring Diagram



3.1

Important Warning.

- Your hearing and the hearing of others, in or close to your emergency vehicle, could be damaged by loud sounds.
- All effective sirens and horns produce loud sounds (120 dB) that may cause permanent hearing loss. Always minimize your exposure to siren sound, roll up your windows and wear hearing protection device.
- Do not sound the siren indoors or in enclosed areas where you and others will be exposed to the sound. Only use the siren for emergency response situations.

4.0 Service and Maintenance

For warranty service, contact your local Distributor. The factory can and will service your equipment or assist you with technical problems that cannot be handled satisfactorily and promptly locally.

The Amplifier / Relay Unit internal structure. See figure 4-1

4.1 To disassemble the Amplifier / Relay Unit, operate as follows:

- (A). Disconnect the Amplifier / Relay Unit cable. Remove the bracket (if used).
- (B). Remove the 911 logo stickers.
- (C). Remove and retain the screws from the front part of the Amplifier / Relay Unit.
- (D). Separate the rear housing (base) of Amplifier / Relay Unit from the bezel.
- (E). Remove the screws and separate two PCI boards.
- (F). Lift the surface cover of the transformer out through the bezel.
- (G). After repair or replacement, Reassemble by the previously removed screws. Reassemble bracket (if used), and insert the modular connector.

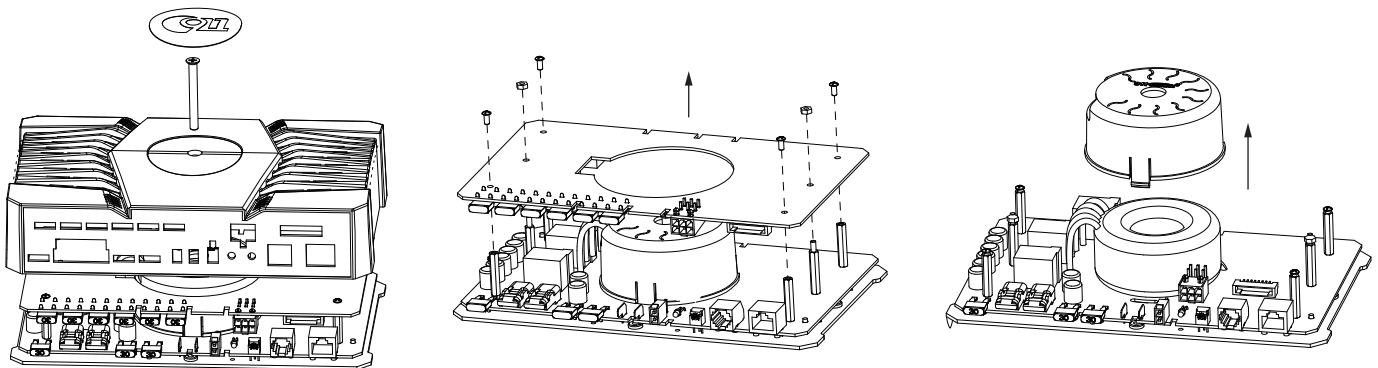


Figure 4-1. Internal structure