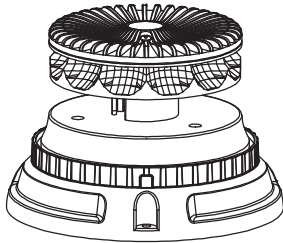


LED Beacons C24-E

- Streamline design on the basis of the C24 more affordable
- level of unique LED reflectors
- signal for superior brightness
- Waterproof, shock resistant, potted circuit board
- simulated rotating patterns
- Provide 360° coverage
- Low amp draw and bright output provide the ideal

MIRAGE
Low profile beacon

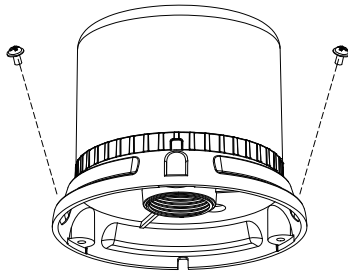


level of unique LED reflectors

MOUNTING

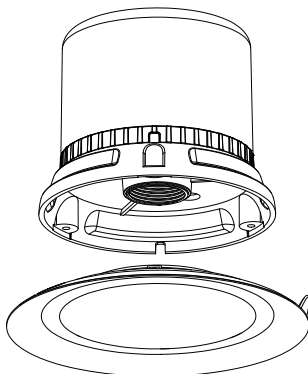
① **Permanent Mount**

Accessory: 3 Screws



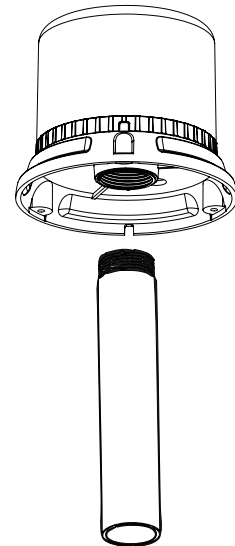
③ **Magnetic Mount**

Accessory: 1 base with Magnet, 1 plate



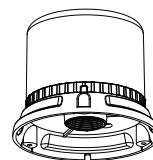
② **Pipe Mount**

Accessory: 1 retractable Pipe (don't include)



④ **Wiring**

use a cigarette lighter



Red: TO + 10-33V DC

Yellow: For Flash Patterns

Black: TO Chassis Ground

FLASH PATTERN
ON/OFF