



BEAR-W

Combination of
270° warning light and 500lm floodlight

USER GUIDE

1. Product Description

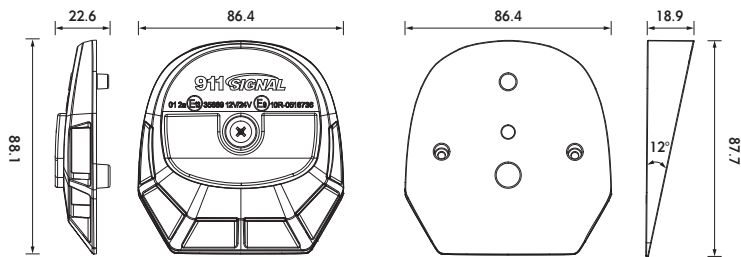
Bear-W is equipped with 6 warning light LEDs and 4 floodlight LEDs, when the trunk is open, the Bear-W can meet the backward warning function (270° beam angle) and the downward lighting function (500lm). Bear-W is ultra-low profile and has an optimized slope design. Its cover is made of zinc die casting with reflector design. It is ECE R10, IP67 and IP69K approved.

2. Technical Specifications

Product Name	BEAR-W
Max Power	12W
LED	6Pcs (warning light) , 4Pcs (floodlight)
Dimensions	86.4 x 88.1 x 22.6mm
Certifications	R10
Voltage	DC 10-33V
Flash Pattern	13
Operating Temperature	-30°C to +70°C
IP Rating	IP67+IP69K
Mount	Screw Mount

3. Product Introduction

3.1. Dimensions



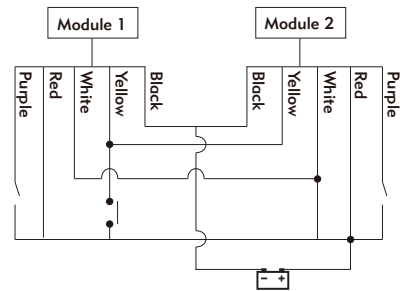
3.2. Wirings

A. Wirings Function

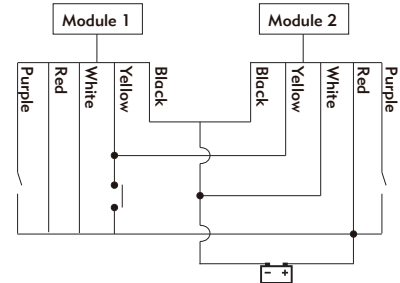
- RED** — For Power Supply To + 10-33VDC
- BLACK** — GND
- PURPLE** — Floodlight
- YELLOW** — Synchronization, Flash Patterns Selection and Reset
 - Connet YELLOW wires of all lightheads together for synchronization.
 - To change flash patterns, apply +VDC for less than 1 second and release.
 - Flash patterns will be reset when YELLOW wires are connected to RED wire for more than 5 seconds.
- WHITE** — Alternation
 - With the power off, connect the WHITE wire from one lighthead to + VDC and leave the other unconnected. Their patterns will alternate when the lightheads are activated.

B. Products Wiring

Pattern Synchronization



Pattern Alternation

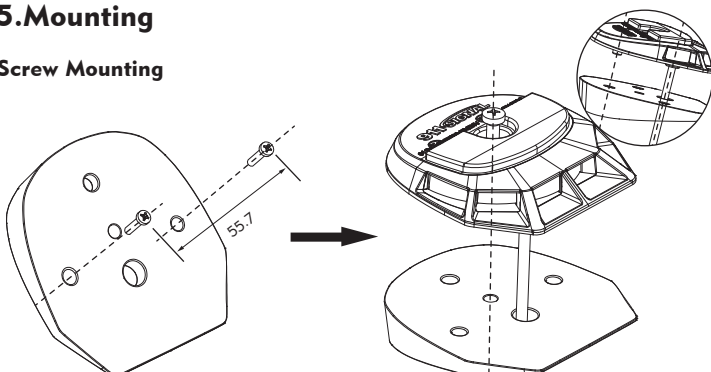


4. Flash Patterns

1	Random (Default)	8	Quad (all)
2	ECE R65 Single (all)	9	Quint (all)
3	ECE R65 Double (all)	10	Ultra (all)
4	ECE R65 Quad(all)	11	Single-Quad (all)
5	ECE R65 Single-Quad (all)	12	Single-H/L (all)
6	Single (all)	13	Steady 4 (all)
7	Double (all)		

5. Mounting

Screw Mounting



911 Signal Technology Inc. 

Manufacturer: Ningbo Vasa Intelligent Technology Co., Ltd
 Factory Address: Building 33, No. 136 Yuhai East Road,
 Hangzhou Bay New District, Ningbo, Zhejiang, China
 Tel: 0574-82822561
 Email: sales@911signal.com
 Website: www.911signal.com