

ANT6 Hide-a-way light

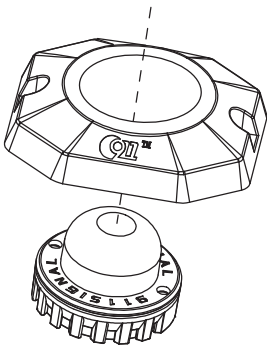
- Ultra small, self contained, Lamp and in-line lamp driver are fully encapsulated.
- Includes synchronize feature for alternating and synchronous flashing of multiple lamps.
- semi-hemispheric LED light, for surface mount or internal.
- Optional three-color cover allow easy surface mounting anywhere 'on your vehicle.
- Monochrome and color
- Aluminum the base and advanced thermal heat management system.
- The standard 1" Hide-A-Way style lamps.
- Simple installation with no separate lamp drivers, flashers, ballast or power supplies to install.



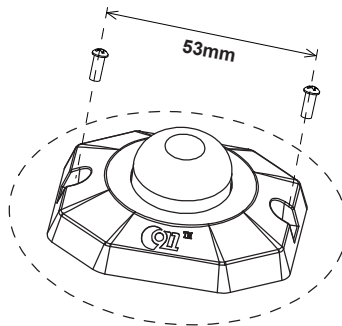
Installation

Surface Mount

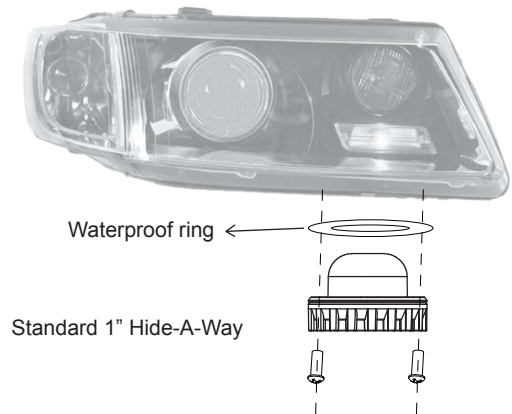
step1: use of cover



step2: using two screws

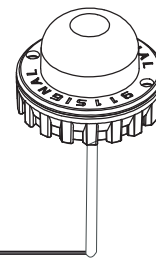


Internal install



Wiring

- TO + 10-33V DC (fuse @ 3A) — **RED**
- TO Chassis Ground — **BLACK**
- For Simultaneous or Alternating Flash — **WHITE**
- Group1 Heads: (wiring-White connected to RED) will flash together
- Group2 Heads: (wiring-White not connected to RED) will flash together
- Group1 Heads will alternate with Group2 Heads — **YELLOW**
- For Synchronization & Flash Patterns: Connect YELLOW wires of all heads together for synchronization



Warning: Don't look directly into the LEDs, while in operation. May cause momentary blind ness and/or eye damage.

Flash Patterns

ANT6-3LED

1. Random(default)
2. Single (split)
3. Double (split)
4. Quad (split)
5. Quint (split)
6. Mega (split)
7. Ultra (split)
9. Single- Quad(split)
8. Single H/L(split)
9. Single(all)
10. Double(all)
11. Quad(all)
12. Quint(all)
13. Mega(all)
14. Ultra(all)
15. Single- Quad(all)
16. Single H/L(all)
17. Steady 2 (california)
18. Steady 4(all)

ANT6-6LED

0. Single(all)
1. Double(all)
2. Quad(all)
3. Qunit(all)
4. Mega(all)
5. Ultra(all)
6. Single-Quad(all)
7. Single-HL(all)
8. Single 1(split)
9. Double 1(split)
10. Quad 1 (split)
11. Quint 1 (split)
12. ECE65 Double 1(split)
13. ECE65 120FPM Single 1(split)
14. Single 2(split)
15. Double 2(split)
16. Quad 2(split)
17. Quint 2(split)
18. ECE65 Double 2(split)
19. ECE65 120FPM Single 2(split)
20. Steady A (ALL)
21. Steady B (ALL)